

AD Fuse size 00



MICHAUD

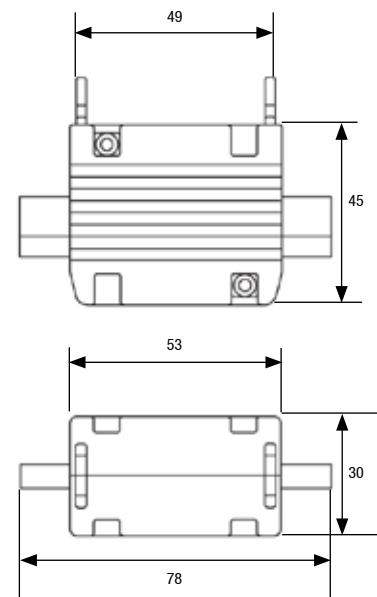
application

This AD fuse cartridges is used with the circuit-breaker installed on the individual tapping of a connection. It performs the cutoff for high short-circuit currents and that way, it saves time life to the connected circuit-breaker, which is not stressed up to its limits.

description

- These blade fuse cartridges are of DIN size 00 according to the CEI standard 60269-2-1.
- There are 3 models according to the nominal current of the circuit-breaker, to which they must be connected:
 - AD 45A,
 - AD 60A,
 - AD 90A.
- The fixing brackets are made of synthetic insulating material.
- The accessible live parts (screws), except the blades, are potential free and offer as well the IP2X degree of protection according to the standard NF EN 60529.
- Low power loss (low watts fuse) limits temperature rise of the equipment, holding so, extending life time.
- This fuse meets the requirements of the HN 62-S-83 standard.

dimensions

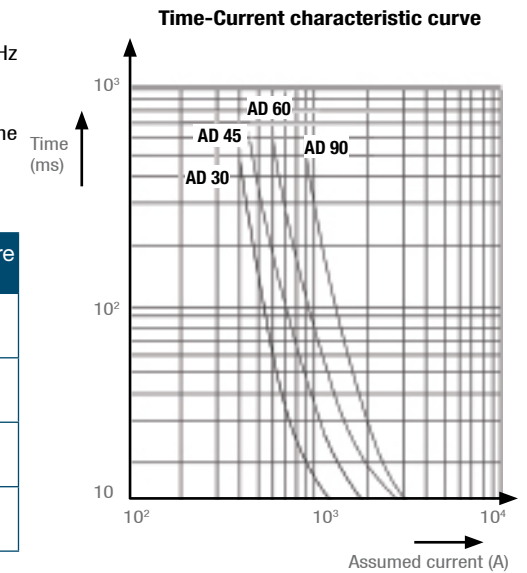


Dimensions in mm

characteristics

- The fuse cartridges are given for a 440V nominal voltage in alternating current of 50Hz nominal frequency.
- Nominal breaking capacity is 20kA.
- Consumption and temperature rise: values of this chart are maximal values under the effect of a current equal to 1.1 time the nominal current in stabilized voltage.

Model	Resistance to 20°C (mW)	Consumption (W)	Blade temperature rise (°K)
AD 30	1150	1.4	9
AD 45	740	2.1	16
AD 60	650	3.3	20
AD 90	430	5.1	34




packaging

Code	Designation	ERDF Nomenclature	Weight (kg)	Unit sale
P 241	00 SIZE AD 30 FUSE CARTRIDGE	69 43 516	0.148	10
P 242	00 SIZE AD 45 FUSE CARTRIDGE	69 43 514	0.148	10
P 243	00 SIZE AD 60 FUSE CARTRIDGE	69 43 513	0.151	10
P 244	00 SIZE AD 90 FUSE CARTRIDGE	69 43 520	0.147	10
00 SIZE ISOLATING BLADE				
P 240	00 SIZE NEUTRAL BLADE CONTACT	69 43 512	0.062	10

variation

Code	Designation	ERDF Nomenclature	Weight (kg)	Unit sale
00 SIZE HPC FUSE 100A				
P 236	00 SIZE HPC 100A FUSE CARTRIDGE	63 43 405	0.148	10

accessory

 Handle for fuses size 00 - size 2



The handle is used to collocate and to take out fuses size 00 and size 2 in equipment without prehensile facilities.

Code	Designation	ERDF Nomenclature	Weight (kg)	Unit sale
P 237	HANDLE FOR FUSES SIZE 00 - SIZE 2	69 41 284	0.256	1